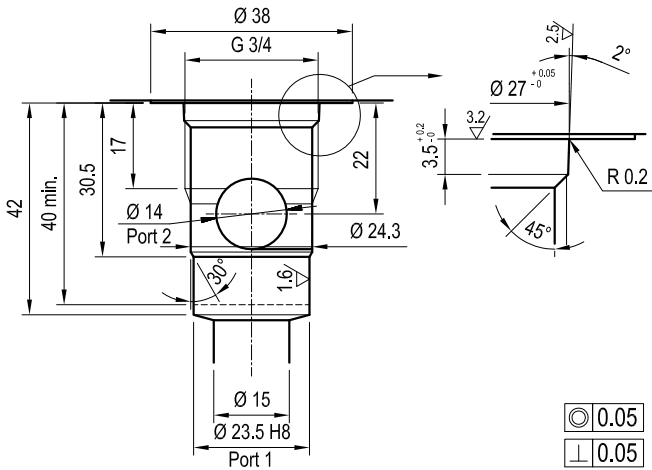
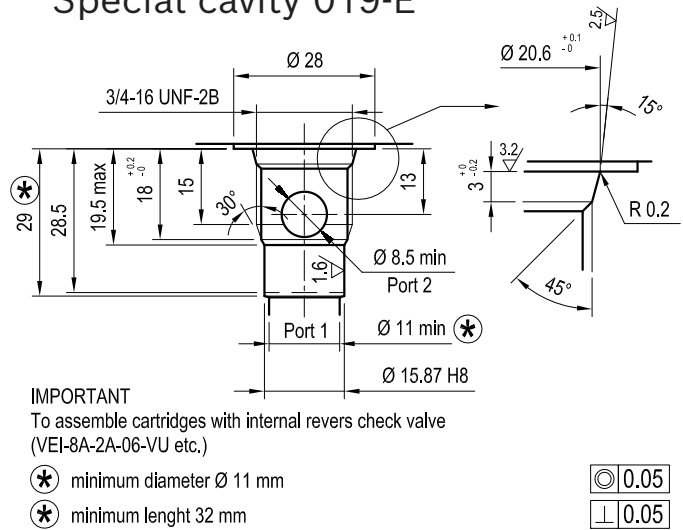


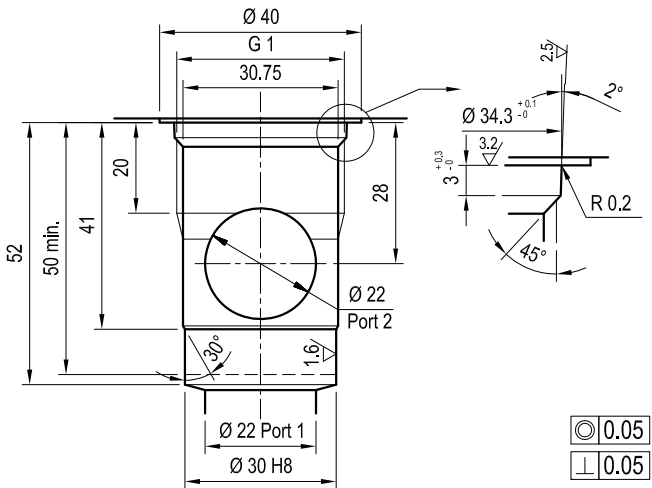
### Special cavity 017-E



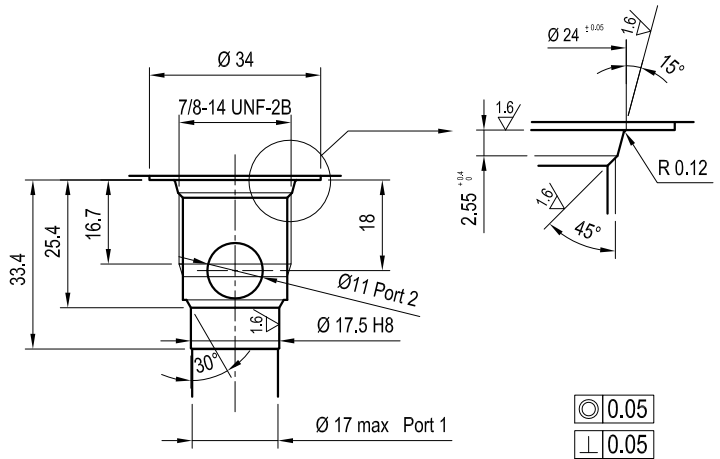
### Special cavity 019-E



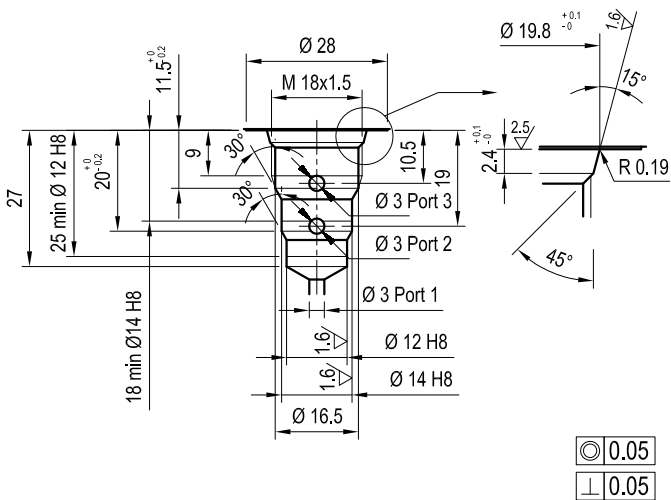
### Special cavity 021-E



### Special cavity 076-E



### Special cavity 081-E



1 mm = 0.03937 in  
1 in = 25.4 mm

Note: For further details please consult factory